



STATE OF FLORIDA

# Humanscale Pricing and Specification Guide

U.S. Pricing Effective July 1, 2019

Humanscale®



# Building Your Product Code Using This Price Guide



W 1 6 W M 14 W 507 - - - -

Monofilament Stripe Mesh in Platinum chosen from page 43

Wave Textile in Navy chosen from page 41

COMPONENT	CODE	BASE MODEL PRICE	<b>\$806</b>
LINE	(W)	Diffrient World Chair	-
STYLE	(1)	Conference/Task Chair	-
ARMRESTS	0	Armless	-
	(6)	Fixed Duron Arms	(\$82)
	7	Fixed Duron Arms with Matching Textile - Available with textile covered seat only	\$108
	1	Adjustable Duron Arms	\$174
	2	Adjustable Duron Arms with Matching Textile - Available with textile covered seat only	\$199
FRAME COLOR	B	Black	-
	(W)	White	(\$20)
	V	Gray	-
BACKREST MESH STYLE	(M)	See page 43 and textile Samples for mesh color options and codes	-
BACKREST MESH COLOR	(14)	See page 43 and textile Samples for mesh color options and codes	-
SEAT MESH/ TEXTILE STYLE		Mesh (A,N,J)	-
	(W)	Textile Grade 1 (W,V,K,CF)	(\$72)
		Textile Grade 2 (F,H)	\$113
		Textile Grade 3 (D)	\$153
SEAT MESH/ TEXTILE COLOR	(507)	See page 43 and textile samples for mesh color options and codes	-
CYLINDER	(-)	Standard 5"	(-)
	A	3" Return to Height Cylinder	\$43
	L	Low 3.75"	\$27
	F	High 8" w/18" Foot Ring	\$113
	R	High 8" Cylinder with 21" Foot Ring	\$156
	X	Extra-high 10" Cylinder w/ 18" Foot Ring	\$113
	Z	Extra-high 10" Cylinder w/ 21" Foot Ring	\$156
CASTERS/GLIDES	(-)	Standard Hard Casters	(-)
	S	Soft Casters	\$17
	G	Glides	\$22
BASE CAPS	(-)	Standard	(-)
SHIPPING	(-)	Individually Boxed	(-)
	B	Blanket Wrapped - See Terms and Conditions for minimum order requirements	-

Requires glides

Total: **\$980**

## DISCOUNTS ON FREEDOM, SMART, LIBERTY & WORLD

(Note: All prices are list)

LIST PRICE	DISCOUNT
\$1-\$100,000	58.5%
\$100,001-\$200,000	60.5%
\$200,001 & UP	Negotiable

## DISCOUNTS ON CINTO

LIST PRICE	DISCOUNT
\$1-\$50,000	50.75%
\$50,001-\$100,000	53.75%
\$100,001-\$200,000	56.50%
\$200,001 & UP	Negotiable

## DISCOUNTS ON FLOAT

LIST PRICE	DISCOUNT
\$1-\$150,000	54.5%
\$150,001-\$300,000	56%
\$300,001-\$500,000	57%

## DISCOUNTS ON EFLOAT

LIST PRICE	DISCOUNT
\$1-\$150,000	62.5%
\$150,001-\$300,000	63.5%
\$300,001-\$500,000	64.5%

## DISCOUNTS ON QUICKSTAND ECO

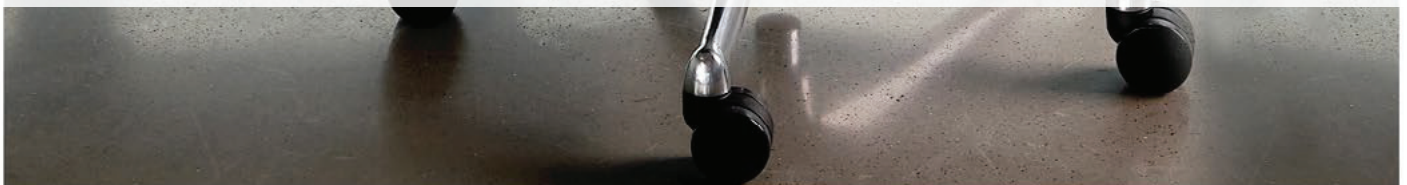
LIST PRICE	DISCOUNT
\$1-\$150,000	54%
\$150,001-\$300,000	56%
\$300,001-\$500,000	57%



# *freedom*<sup>®</sup>

With Freedom, the knobs, levers and locks of current-generation task chairs have been replaced by intelligent mechanisms that automatically support the body as it moves from task to task. By minimizing the need for manual controls, Freedom maximizes natural, spontaneous movement, which is essential for a healthy body and a comfortable day's work.

Freedom's many features can be enjoyed with virtually no effort.



# freedom® Features & Characteristics



## **DYNAMIC HEADREST**

- Position-sensitive headrest moves into place when you recline and out of the way when you sit upright
- 5" vertical adjustment to fit all users
- Moves in the natural arc of head/neck for perfect support through range of recline
- Contoured to cradle the head and neck in comfort

## **SELF-ADJUSTING RECLINE**

- Intelligent counter-balance recline mechanism automatically provides the right amount of support through the full range of recline motion, regardless of user size and weight
- No tension springs to adjust
- No recline locks to set / release
- During recline, the angle between torso and legs opens up for better body function
- User maintains near-constant eye level during recline

## **PIVOTING BACKREST**

- Extra motion of the backrest during recline automatically adjusts to the changing needs of the spine
- Provides up to 1" additional lumbar support when needed

## **SYNCHRONOUS ARMRESTS**

- Revolutionary armrests move in tandem to eliminate uneven arm positioning
- Natural lift and release action for immediate repositioning without buttons or locks
- 6" range of vertical motion to accommodate all users and tasks
- Can be positioned below thigh level for close to table or desk work
- Attached to backrest so arms stay in same relation to body during recline
- Duro arm pad for durability and comfort

## **CUSHIONS**

- Carefully sculpted to match body contours
- Increased contact area reduces pressure points
- Modular for easy replacement
- Molded polyurethane foam cushions
- Optional arm pads and seat have top layer of Technogel®
- Upholstered with a variety of materials customized to the unique form of the cushion

## **GEL SEAT CUSHION**

- Non-degradable, non-compressible Technogel® layer on top of foam core
- Provides maximum pressure distribution
- Offers unmatched, long-term comfort

## **CYLINDER OPTIONS**

- Provides seat height range that accommodates 95% of the population
- Low cylinder for small users
- Tall cylinder for very tall users
- High cylinder with foot ring
- Extra-high cylinder with foot ring (Saddle seat only)

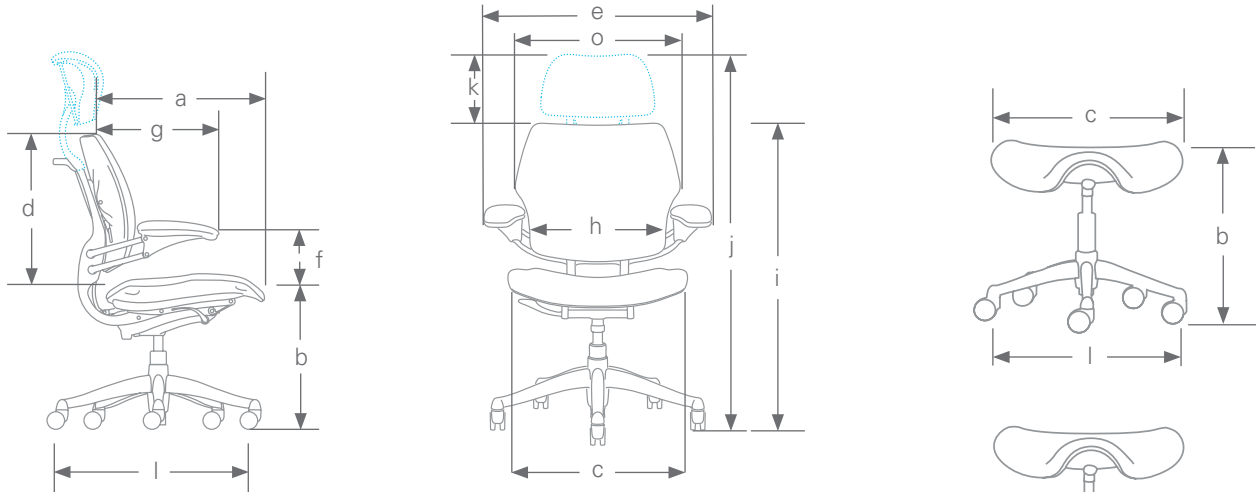
## **External Frame and OPTIONAL Base UPGRADE**

- Die-cast aluminum with fused plastic coating or polished aluminum finish

## **CASTER OPTIONS**

- 2.5" soft double-wheel casters for hard floors
- Non-rolling glides for fixed-location use
- 2.5" locking casters



# freedom<sup>®</sup> Specifications

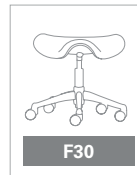


CODE	DESCRIPTION	MEASUREMENT
a	Seat Depth (from face of lumbar to front of seat)	17.40" - 19.85"
b	Seat Height (floor to compressed front center of seat cushion)	16.125" - 20.25" standard cylinder chair 17" - 22.35" tall-cylinder chair 20.25" - 27.75" high-cylinder chair 23.25" - 33.125" extra high-cylinder chair 17.5" - 22.25" return to height cylinder chair
	Headrest and Task	17.3" - 22.1" standard cylinder stool 16.7" - 20.2" low-cylinder stool 18.2" - 23.2" tall-cylinder stool 19.9" - 27.5" high cylinder stool 22.4" - 32.5" extra-high cylinder with glides
c	Seat Width	21" chair 22" Saddle seat 16" Pony Saddle seat
d	Backrest Height (from seat cushion to top of backrest)	18" - 20.9" 3" in 0.25" increments
e	Chair Width	26.75" with arms 21.1" without arms
f	Armrest Height (compressed seat cushion to top of armrest)	3.75" - 9.6"
g	Armrest Length (from face of lumbar to front of armrest)	8.8"
h	Distance between armrests (front inside edge)	19" standard 18.25" - 21.25" advanced
i	Height, Task Chair	34.625" - 41.775" standard cylinder 36.125" - 44.025" tall-cylinder 39.0" - 49.4" high-cylinder 35.25" - 40.775" 3" return to height cylinder 35.5" - 40.775" 5" return to height cylinder
j	Height, Task Chair with Headrest	42.375" - 54.275" standard cylinder 43.875" - 56.525" tall-cylinder 46.75" - 61.9" high-cylinder 43.0" - 53.275" 3" return to height cylinder 43.0" - 53.275" 5" return to height cylinder
k	Headrest Height Adjustment Range	5"
l	Base Diameter	25" chair, high or extra-high Saddle / Pony 22" standard Saddle / Pony
m	Foot Ring Diameter	18" or 21"
n	Foot Ring Height Adjustment (from floor)	6" - 11"
o	Backrest Width	21"

SCOPE OF USERS
<ul style="list-style-type: none"> <li>Standard chair fits more than 95% of the office population                             <ul style="list-style-type: none"> <li>- 5'0" Woman to 6'4" Man</li> <li>- 100 to 300 lbs.</li> </ul> </li> <li>Users outside the standard range can be accommodated by                             <ul style="list-style-type: none"> <li>- Low or Tall Cylinder</li> <li>- Advanced Armrests</li> </ul> </li> </ul>
WEIGHT
<ul style="list-style-type: none"> <li>38 lbs. Headrest with arms</li> <li>34 lbs. Headrest without arms</li> <li>34 lbs. Task with arms</li> <li>30 lbs. Task without arms</li> <li>14 lbs. Saddle</li> <li>20 lbs. Saddle with Foot Ring</li> <li>14 lbs. Pony Saddle</li> <li>18 lbs. Pony Saddle with Foot Ring</li> </ul>
BACKREST RECLINE
<ul style="list-style-type: none"> <li>22° recline plus 7° backrest tilt</li> </ul>
REFERENCE ANGLE BETWEEN SEAT AND BACK
<ul style="list-style-type: none"> <li>100° to 129°</li> </ul>
HEADREST RADIAL MOTION
<ul style="list-style-type: none"> <li>30°</li> </ul>

# freedom® Build Your Product Code

			Freedom Task	Freedom Headrest	Freedom Saddle
			F11	F21	F30
COMPONENT	CODE	BASE MODEL PRICE	\$985	\$1,180	\$315
ARMREST	0	Armless (Required option for Saddle/Pony)	—	—	—
	1	Standard Duron Arms	\$105	\$105	N/A
	2	Standard Duron Arms with Matching Textile	\$120	\$120	N/A
	3	Advanced Duron Arms	\$190	\$190	N/A
	4	Advanced Duron Arms with Matching Textile	\$205	\$205	N/A
	X	Standard Duron Gel Arms	\$135	\$135	N/A
	M	Standard Gel Arms with Matching Textile	\$150	\$150	N/A
	D	Advanced Duron Gel Arms	\$220	\$220	N/A
	C	Advanced Gel Arms with Matching Textile	\$235	\$235	N/A
FRAME	G	Graphite	—	—	—
	T	Titanium	—	—	—
	A	Polished Aluminum with Graphite	\$225	\$245	\$139
	M	Polished Aluminum with Titanium	\$225	\$245	\$139
		 Comes standard with polished aluminum base			
TEXTILE		Textile Grade 1 (W,V,K,CF)	\$20	\$20	\$11
		Textile Grade 2 (F,H)	\$75	\$85	\$42
		Textile Grade 3 (D)	\$170	\$190	\$99
		Leather Grade 1 (Q)	\$649	\$756	\$432
		Leather Grade 2	N/A	N/A	N/A
		Leather Grade 3 (R)	\$1,376	\$1,757	\$707
TEXTILE COLOR		See page 27 for color options			
LEATHER STITCHING		If leather is selected, see page 28 for stitch options			
		No leather selected	—	—	—
GEL SEAT	-	Standard Foam Seat Pan	—	—	—
	G	Gel Seat - <i>Not compatible with leather textiles</i>	\$74	\$74	N/A
CYLINDER	-	Standard 5"	—	—	—
	A	3" Return to Height Cylinder	\$44	\$44	\$44
	L	Low 3.75"	N/A	N/A	\$28
	T	Tall 5"	\$37	\$37	\$37
	H	High 8"	N/A	N/A	\$39
	F	High 8" w/18" Foot Ring	\$110	\$110	\$110
	R	High 8" w/21" Foot Ring	\$152	\$152	\$152
	X	Extra-High 10" w/18" Foot Ring	N/A	N/A	\$110
	Z	Extra-High 10" w/21" Foot Ring	N/A	N/A	\$152
		 Only available on Saddle Seat with Glides or Locking Casters			
CASTER TYPE	-	Standard Hard Casters	—	—	—
	G	Glides	\$21	\$21	\$21
	S	Soft Casters	\$21	\$21	\$21
	K	Automatic Locking Casters	\$110	\$110	\$110
	FIRE PROOFING	-	Standard Foams and Plastics	—	—
	C	CAL 133-Approved Foams and Plastics	\$58	\$74	\$35
BASE UPGRADE <i>Standard Aluminum Base should be selected with A and M frame colors.</i>	-	Standard Composite Base to match Graphite or Titanium frame color	—	—	—
	-	Standard Aluminum Base to match frame color	—	—	—
	M	Powder-coated Aluminum Base to match Graphite or Titanium frame color	\$45	\$45	N/A
	A	Polished Aluminum Base on Graphite or Titanium Frame	\$130	\$130	N/A
SHIPPING	-	Individually Boxed	—	—	—
	B	Blanket Wrapped - <i>See Terms and Conditions for minimum order requirements</i>	—	—	—



# freedom® Options & Prices

REPLACEMENT PARTS	Code	CAL133 Available	Price	Textile 1	Textile 2	Textile 3	Leather 0	Leather 1	Leather 2	Leather 3
-------------------	------	------------------	-------	-----------	-----------	-----------	-----------	-----------	-----------	-----------

Seat Cushions										
Seat (Foam)	<b>S 12224F</b>	C		\$125	\$150	\$200	N/A	\$549	N/A	\$750
Seat (Gel)	<b>S 1222G</b>	C		\$200	\$225	N/A	N/A	N/A	N/A	N/A
Back	<b>B 12224F</b>	C		\$125	\$150	\$200	N/A	\$545	N/A	\$750
Saddle Seat	<b>L 1222</b>	C		\$140	\$190	\$235	N/A	\$580	N/A	\$790
Headrest	<b>H 1222F</b>	C		\$110	\$120	\$140	N/A	\$235	N/A	\$375

Armrest Cushions										
Standard Duron Arm Pads	<b>FA</b>			\$52	N/A	N/A	N/A	N/A	N/A	N/A
Advanced Duron Arm Pads	<b>FV</b>			\$52	N/A	N/A	N/A	N/A	N/A	N/A
Standard Duron Gel Arm Pads	<b>FX</b>			\$84	N/A	N/A	N/A	N/A	N/A	N/A
Advanced Duron Gel Arm Pads	<b>FD</b>			\$84	N/A	N/A	N/A	N/A	N/A	N/A
Standard Duron Arm Pads with Matching Textile (Pair)	<b>FAM 1222</b>	C		\$65	\$85	\$85	N/A	\$115	N/A	\$185
Advanced Duron Arm Pads with Matching Textile (Pair)	<b>FVM 1222</b>	C		\$65	\$85	\$85	N/A	\$115	N/A	\$185
Standard Gel Arm Pads with Matching Textile (Pair)	<b>FXM 1222</b>	C		\$95	\$115	\$115	N/A	\$145	N/A	\$215
Advanced Gel Arm Pads with Matching Textile (Pair)	<b>FDM 1222</b>	C		\$95	\$115	\$115	N/A	\$145	N/A	\$215

RETROFIT PARTS	Code	CAL133 Available	Price	Textile 1	Textile 2	Textile 3	Leather 0	Leather 1	Leather 2	Leather 3
Advanced Duron Arms	<b>KDA3</b>		\$180	N/A	N/A	N/A	N/A	N/A	N/A	N/A
Advanced Duron Gel Arms	<b>KA3</b>		\$210	N/A	N/A	N/A	N/A	N/A	N/A	N/A
Advanced Duron Arms with Matching Textile	<b>KDAM31222</b>	C		\$200	\$210	\$210	N/A	\$260	N/A	\$325
Advanced Gel Arms with Matching Textile	<b>KAM31222</b>	C		\$230	\$240	\$240	N/A	\$275	N/A	\$355

Any code containing a number refers to the component or textile that must be selected to order the replacement or retrofit part.

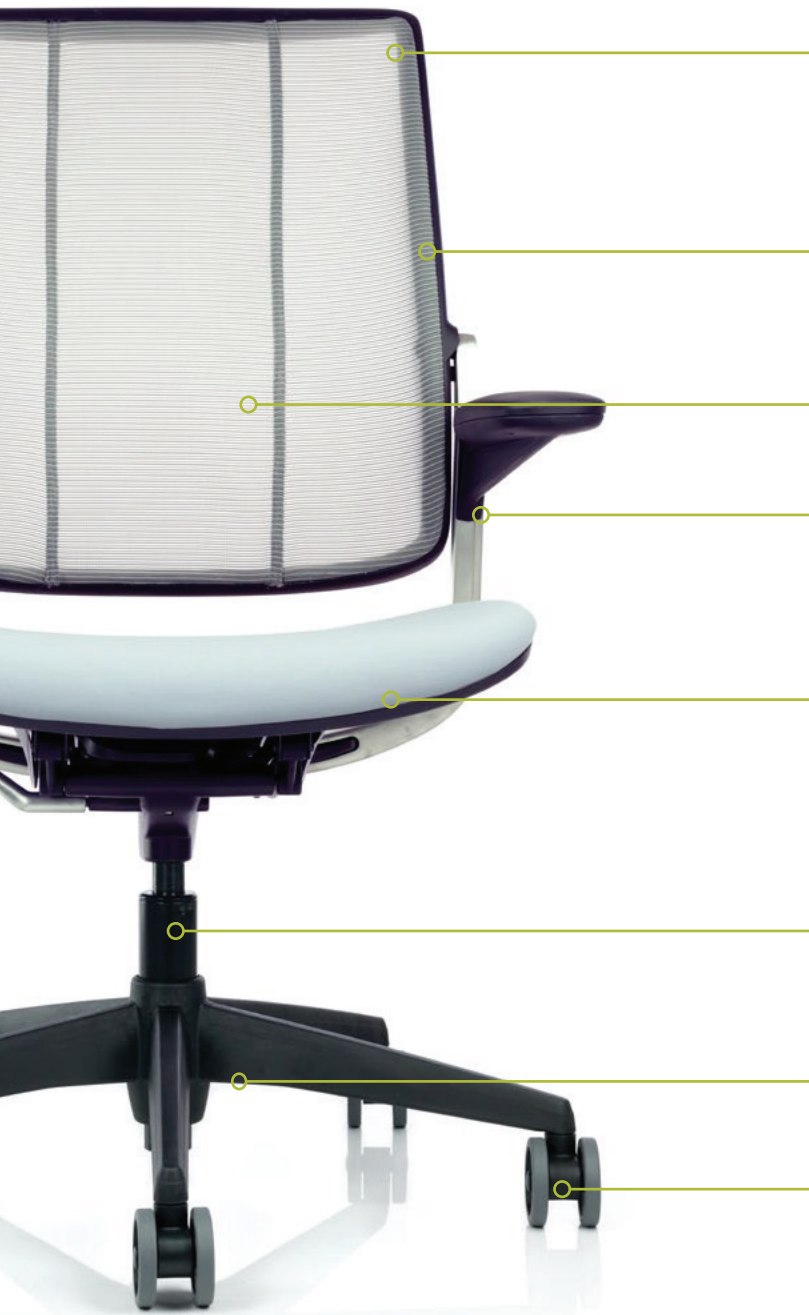
**1-** Textile Code **2-** Cushion Color **3-** Frame/Cushion Shell Color (G=Graphite, T=Titanium) **4-** Leather Stitch Color (page 42)



## *Diffrient smart™*

Ideal for any designed environment, Diffrient Smart features aesthetics that are as minimal visually as the chair is functional. And, with its signature weight-sensitive recline, body-fitting Form-Sensing Mesh Technology and unique tri-panel backrest, Diffrient Smart adapts to every user, every time. Diffrient Smart is also available in the Plus version for a wider seat and with support for up to 400lbs.

# Diffrient smart™ Features & Characteristics



## **BODY FIT**

Size adjustable to fit more than 95% of the population

## **CUSHION PAN, BACK FRAME, FIVE-ARM BASE**

Injection-molded, structural, integral color plastics

## **EXTERNAL FRAME**

Die-cast aluminum with powder coating

## **FIREPROOFING**

CAL 133-approved: optional fireproof barrier between textile and foam

## **SELF-ADJUSTING RECLINE**

- Intelligent counter-balance recline mechanism automatically provides the right amount of support through the full range of recline motion, regardless of user size and weight
- No tension springs to adjust
- No recline locks to set/release
- During recline, the angle between torso and legs opens up for better body function
- User maintains near-constant eye level during recline

## **PIVOTING BACKREST**

- Extra motion of the backrest during recline automatically adjusts to the changing needs of the spine
- Provides additional lumbar support as needed

## **FORM-SENSING MESH**

- Tri-panel, non-stretch mesh construction creates body-fitting contours and self-adjusting lumbar support for a customized fit
- No external lumbar devices to adjust, break or lose
- Low-abrasion mesh protects clothing
- Modular for easy replacement

## **ARMREST OPTIONS**

- Armless
- Fixed armrests
- Height-adjustable armrests with 5" range of adjustment
- 4D height-adjustable armrests with adjustable armpads (standard on Diffrient Smart Plus)

## **CONTOURED CUSHIONS**

- Carefully sculpted to match body contours
- Increased contact area reduces pressure points
- Modular for easy replacement
- 2" thick cushions on Diffrient Smart with a 19.25" seat width
- 3" thick cushions on Diffrient Smart Plus with a 22" seat width
- Glueless cushions mean less usage of materials for a more environmentally friendly solution

## **CYLINDER**

- Standard cylinder provides seat height range that accommodates 95% of the population
- Optional low cylinder for small users
- Optional high cylinder for very tall users

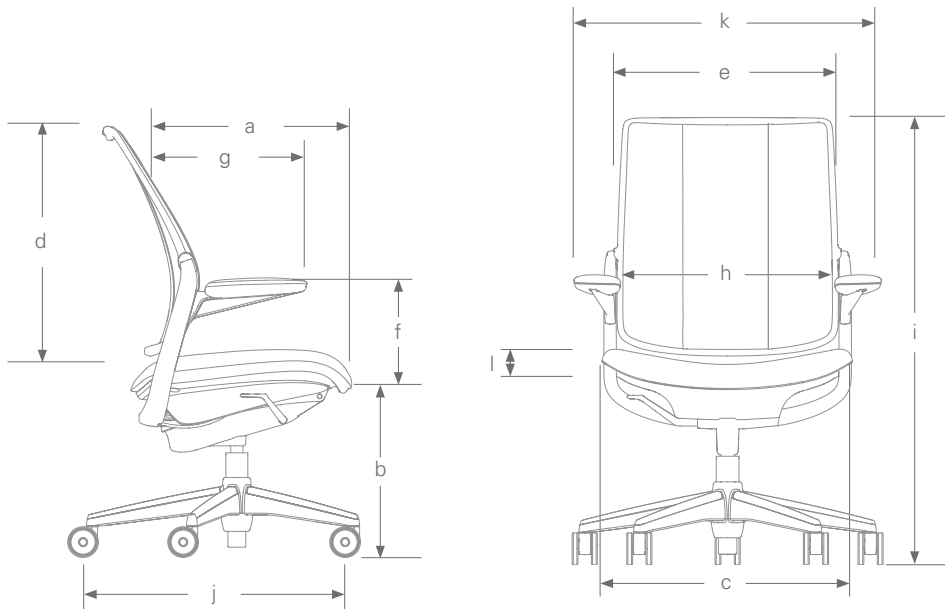
## **BASE**

- Plastic base (standard on Diffrient Smart)
- Aluminum base (standard on Diffrient Smart Plus)

## **CASTER OPTIONS**

- Standard 3" casters for carpeted floors
- Optional soft casters for hard floors

# Diffrient smart™ Specifications



SCOPE OF USERS
<ul style="list-style-type: none"> <li>Conference/Task chair fits 95% of the office population                             <ul style="list-style-type: none"> <li>– 5'0" (152cm) Woman to 6'4" (193cm) Man</li> <li>– 100 to 300 lbs. (45.4kg – 136kg)</li> </ul> </li> <li>Diffrient Smart Plus                             <ul style="list-style-type: none"> <li>– 100 to 400 lbs. (45.4kg – 181kg)</li> </ul> </li> <li>Users outside the standard height range can be accommodated by Low or Tall Cylinder</li> </ul>
WEIGHT
<ul style="list-style-type: none"> <li>34 lbs. with arms</li> <li>31 lbs. without arms</li> </ul>
TILT AND RECLINE
<ul style="list-style-type: none"> <li>18° recline plus 8° backrest tilt</li> </ul>
REFERENCE ANGLE BETWEEN SEAT AND BACK
<ul style="list-style-type: none"> <li>93° to 124°</li> </ul>

CODE	DESCRIPTION	Diffrient Smart	Diffrient Smart Plus
a	seat depth (from face of lumbar to front of seat)	16.25" – 18.75"	17" – 19"
b	seat height (from floor to compressed front center of seat cushion)	16.5" - 20.75" standard cylinder chair 14.875" - 17.875" low-cylinder chair 17.625" - 22.625" tall-cylinder chair 20.75" - 28.25" 8" high-cylinder chair 17.125" - 19.75" 3" return to height cylinder chair 17.375" - 22.125" 5" return to height cylinder chair	17.5" – 22.75" standard cylinder chair 17.0" – 20.5" Low-Cylinder Chair 18.0" – 23.25" TALL-Cylinder Chair (5") 21.0" – 28.5" HIGH-Cylinder Chair (8") 17.25" – 19.63" Return to height Cylinder (3")
c	seat width	19.25"	22"
d	backrest height (from seat cushion to top of backrest)	22.50"	22.50"
e	backrest width	19"	19"
f	armrest height (from compressed seat cushion to top of armrest)	8.75" fixed 5" – 9.6" adjustable and 4D Arms	5.75" – 10.25" 4D (4D armrests only)
g	armrest length (from face of lumbar to front of armrest)	8.75"	8.75"
h	distance between armrests	18.50" fixed and adjustable 18" - 20" 4D arms	18" - 20" 4D arms (4D armrests only)
i	height	39" - 43.25" standard cylinder chair 37.5" - 40.5" low-cylinder chair 17.625" - 22.625" tall-cylinder chair 43.75" - 51.25" 8" high-cylinder chair 39.625" - 42.25" 3" return to height cylinder chair 39.875" - 44.625" 5" return to height cylinder chair	40" – 44.8" standard cylinder chair 40" – 43.5" low-cylinder chair 41" – 46" tall-cylinder chair 40.3" - 42.5" return to height cylinder chair
j	base diameter	26"	26"
k	chair width	26.5"	26.5"
l	cushion thickness	2"	3"

## Build Your Product Code

			Diffrient Smart	Diffrient Smart Ocean	Diffrient Smart Plus
COMPONENT	CODE	BASE MODEL PRICE	\$1,080	\$1,168	\$1,715
LINE	S	Smart	-	-	-
STYLE <i>* See page 44 for LPC approved textile options</i>	1	Diffrient Smart Ocean Task Chair	N/A	-	N/A
	2	Diffrient Smart Plus Task Chair	N/A	N/A	-
	4	Diffrient Smart Task Chair	-	N/A	N/A
MECHANISM	1	Task Chair	-	-	-
ARMRESTS	0	Armless	-	-	-
	1	Fixed Duron Arms	\$125	\$135	N/A
	2	Fixed Duron Arms with Matching Textile	\$150	\$163	N/A
	3	Adjustable Duron Arms	\$210	\$227	N/A
	4	Adjustable Duron Arms with Matching Textile	\$235	\$254	N/A
	5	4D Adjustable Duron Arms	\$245	\$265	\$245
	6	4D Adjustable Duron Arms with Matching Textile	\$270	\$292	\$270
FRAME COLOR	B	Black Frame with Black Trim	-	-	-
	D	Dark Gray Frame with Polished Aluminum Trim	\$100	\$108	\$100
	C	Black Frame with Polished Aluminum Trim	\$100	\$108	\$100
BACKREST MESH STYLE		See page 29 and textile samples for mesh color options and codes			
BACKREST MESH COLOR		See page 29 and textile samples for mesh color options and codes			
SEAT TEXTILE		Textile Grade 1 (W,V,K,CF)	\$20	\$22	\$28
		Textile Grade 2 (F,H)	\$60	-	\$75
		Textile Grade 3 (D)	\$120	-	\$150
		Leather Grade 0	\$469	\$542	N/A
		Leather Grade 1 (Q)	\$501	-	N/A
		Leather Grade 3 (R)	\$960	\$1,038	N/A
SEAT TEXTILE COLOR		See page 27 for color options			
LEATHER STITCHING		If leather is selected, see page 28 for stitch options			
	-	No leather selected	-	-	-
SEAT PAN	-	Standard Seat Pan	-	-	-
CYLINDER	-	Standard 5"	-	-	-
	A	3" Return to Height Cylinder	\$42	\$45	\$42
	L	Low 3.75"	\$26	\$28	\$26
	T	Tall 5"	\$37	\$40	N/A
	F	High 8" cylinder w/ 18" foot ring	\$110	\$119	N/A
	R	High 8" cylinder w/ 21" foot ring	\$152	\$165	N/A
CASTERS/GLIDES	-	Standard Casters for Carpeted Floors	-	-	-
	S	Soft Casters	-	-	-
FIREPROOFING	-	Standard Foams and Plastics	-	-	-
	C	CAL 133 Approved Foams and Plastics	\$50	\$55	\$60
SHIPPING	-	Individually Boxed	-	-	-
	B	Blanket Wrapped*	-	-	-

REPLACEMENT PARTS	Code	CAL133 Available	Price	Textile 1	Textile 2	Textile 3	Leather 0	Leather 1	Leather 2	Leather 3
Foam Seat Cushion (Diffrient Smart)	<b>SSF12226</b>	C	N/A	\$135	\$160	\$210	N/A	\$555	N/A	\$835
Foam Seat Cushion (Diffrient Smart Plus)	<b>S2SF12226</b>	C	N/A	\$178	\$210	\$273	N/A	\$696	N/A	\$995
Mesh Backrest (Diffrient Smart & Smart Plus)	<b>SB3422</b>		\$155	N/A	N/A	N/A	N/A	N/A	N/A	N/A
Duron Arm Pads (Pair) (Diffrient Smart & Smart Plus)	<b>SDA5</b>		\$60	N/A	N/A	N/A	N/A	N/A	N/A	N/A
Duron Arm Pads w/Matching Textile (Pair) (Diffrient Smart & Smart Plus)	<b>SDAM1222</b>	C	N/A	\$70	\$90	\$90	N/A	\$115	N/A	\$170

RETROFIT KITS	Code	CAL133 Available	Price	Textile 1	Textile 2	Textile 3	Leather 0	Leather 1	Leather 2	Leather 3
Fixed Duron Arms	<b>SKF35</b>		\$200	N/A	N/A	N/A	N/A	N/A	N/A	N/A
Fixed Duron Arms w/Matching Textile	<b>SKFM31222</b>	C	N/A	\$210	\$230	\$230	N/A	\$255	N/A	\$310
Height Adjustable Duron Arms	<b>SKH35</b>		\$355	N/A	N/A	N/A	N/A	N/A	N/A	N/A
Height Adjustable Duron Arms w/Matching Textile	<b>SKHM31222</b>	C	N/A	\$365	\$385	\$385	N/A	\$410	N/A	\$465
4D Adjustable Duron Arms	<b>SKD35</b>		\$380	N/A	N/A	N/A	N/A	N/A	N/A	N/A
4D Adjustable Duron Arms w/ Matching Textile	<b>SKDM31222</b>	C	N/A	\$390	\$410	\$410	N/A	\$435	N/A	\$490

Any code containing a number refers to the component or textile that must be selected to order the replacement or retrofit part.

**1** – Textile Code (pages 41-42) **2** – Cushion Color (pages 41-42) **3** – Frame Color (B, G, A)

**4** – Mesh (M, C, A, N, J) **5** – Arm Pad Color (B, G) **6** – Leather Stitch Color (page 42)



# *Liberty*<sup>®</sup>

Liberty, with Form-Sensing Mesh Technology, is unlike any mesh chair you've seen or experienced. With its tri-panel construction, Liberty has the body-fitting contours that single-panel stretch mesh chairs simply can't achieve. And it offers perfect lumbar support for everyone, without external devices or manual adjustments. Liberty's mesh back is formed by combining three panels of non-stretch mesh in the same way a tailor combines multiple pieces of material to form a shirt. So its contours are custom-made to both fit and support the human body in unprecedented comfort.





### BODY FIT

Size adjustable to fit more than 95% of the population

### CUSHION PAN, BACK FRAME, FIVE-ARM BASE

Injection-molded, structural, integral color plastics.  
Optional stainless steel caps on base

### EXTERNAL FRAME

Die-cast aluminum with fused plastic coating or polished aluminum finish

### FIREPROOFING

CAL 133-approved: optional fireproof barrier between textile and foam

### SELF-ADJUSTING RECLINE

- Intelligent counter-balance recline mechanism automatically provides the right amount of support through the full range of recline motion, regardless of user size and weight
- No tension springs to adjust
- No recline locks to set/release
- During recline, the angle between torso and legs opens up for better body function
- User maintains near-constant eye level during recline

### PIVOTING BACKREST

- Extra motion of the backrest during recline automatically adjusts to the changing needs of the spine
- Provides additional lumbar support as needed

### ARMREST OPTIONS

- Armless
- Fixed armrests
- Height-adjustable armrests with 5" range of adjustment
- Armpad Options: Standard Flexible Duron or Duron with Gel for optimal comfort

### FORM-SENSING MESH

- Tri-panel, non-stretch mesh construction creates body-fitting contours and self-adjusting lumbar support for a customized fit
- No external lumbar devices to adjust, break or lose
- Low-abrasion mesh protects clothing
- Modular for easy replacement

### CONTOURED CUSHIONS

- Carefully sculpted to match body contours
- Increased contact area reduces pressure points
- Modular for easy replacement
- Glueless cushions mean less usage of materials for a more environmentally friendly solution

### CYLINDER

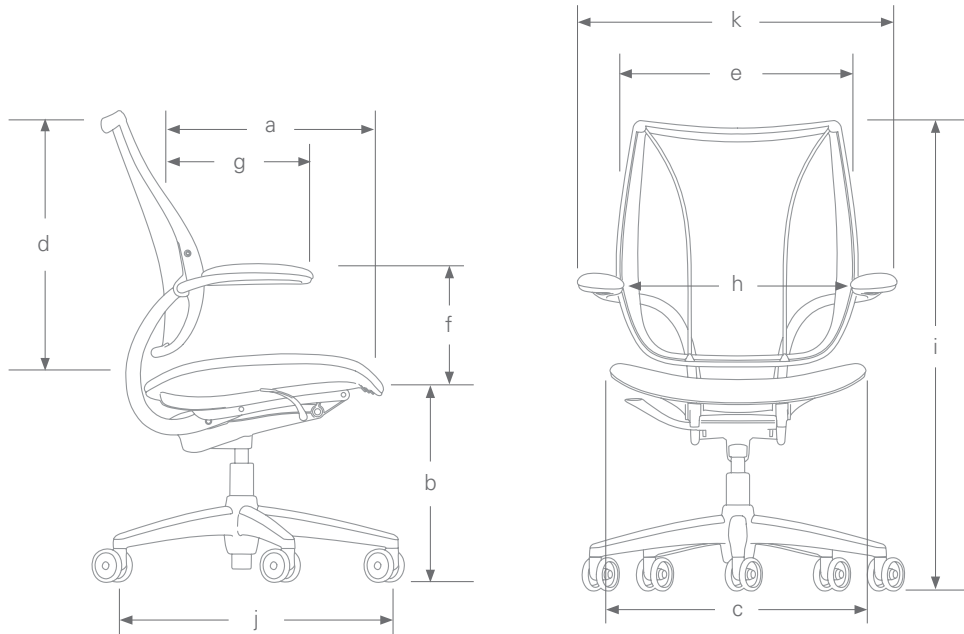
- Standard cylinder provides seat height range that accommodates 95% of the population
- Optional low cylinder for small users
- Optional tall cylinder for very tall users
- Optional high cylinder with foot ring

### OPTIONAL FOOT RING

- Polished finish
- Height-adjustable

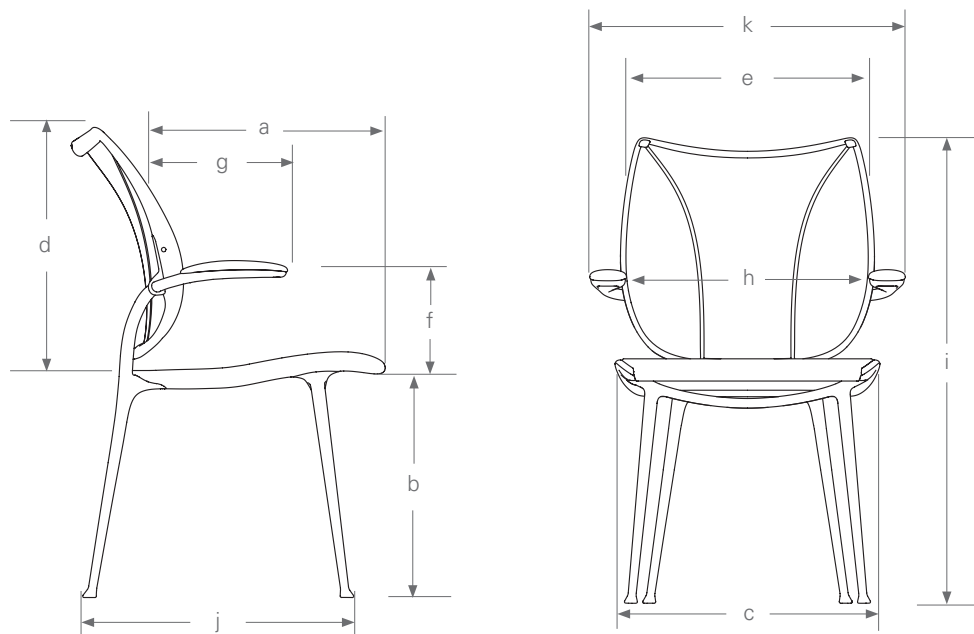
### CASTER OPTIONS

- Standard 3" casters for carpeted floors
- Optional soft casters for hard floors
- Optional non-rolling glides for fixed location use



CODE	DESCRIPTION	MEASUREMENT
a	seat depth <i>(from face of lumbar to front of seat)</i>	16.5" – 18.75"
b	seat height <i>(from floor to compressed front center of seat cushion)</i>	16.6" - 20.9" standard cylinder chair 15.4" - 18.4" low-cylinder chair 17.25" - 22.6" tall-cylinder chair 21.1" - 28.6" high-cylinder chair 16.875" - 19.5" 3" return to height cylinder chair 17.125" - 21.875" 5" return to height cylinder chair
c	seat width	21.25"
d	backrest height <i>(from seat cushion to top of backrest)</i>	23"
e	backrest width	20"
f	armrest height <i>(from compressed seat cushion to top of armrest)</i>	10" fixed 6.25"-9.75" adjustable
g	armrest length <i>(from face of lumbar to front of armrest)</i>	8.6"
h	distance between armrests	19"
i	height	39.25" - 43.625" standard cylinder chair 37.875" - 40.875" low-cylinder chair 40.5" - 45.5" tall-cylinder chair 43.5" - 51.0" high-cylinder chair 39.875" - 42.5" 3" return to height cylinder chair 40.125" - 44.875" 5" return to height cylinder chair
j	base diameter	25"
k	chair width	26.5" with arms 21" without arms

SCOPE OF USERS
<ul style="list-style-type: none"> <li>Conference/Task chair fits more than 95% of the office population                             <ul style="list-style-type: none"> <li>– 5'0" Woman to 6'4" Man</li> <li>– 100 to 300 lbs.</li> </ul> </li> <li>Users outside the standard range can be accommodated by Low or Tall Cylinder</li> </ul>
WEIGHT
<ul style="list-style-type: none"> <li>34 lbs. <i>with arms</i></li> <li>30 lbs. <i>without arms</i></li> </ul>
TILT AND RECLINE
<ul style="list-style-type: none"> <li>17° recline plus 7° backrest tilt <i>Conference/Task chair</i></li> </ul>
REFERENCE ANGLE BETWEEN SEAT AND BACK
<ul style="list-style-type: none"> <li>100° to 124° <i>Conference/Task chair</i></li> </ul>



CODE	DESCRIPTION	MEASUREMENT
a	seat depth <i>(from face of lumbar to front of seat)</i>	18.5"
b	seat height <i>(from floor to compressed front center of seat cushion)</i>	18.4"
c	seat width	20.75"
d	backrest height <i>(from seat cushion to top of backrest)</i>	20.75"
e	backrest width	20.25"
f	armrest height <i>(from compressed seat cushion to top of armrest)</i>	9.1"
g	armrest length <i>(from face of lumbar to front of armrest)</i>	12"
h	distance between armrests	19.15"
i	height	36.75"
j	base diameter	N/A
k	chair width	25"

SCOPE OF USERS
<ul style="list-style-type: none"> <li>Side chair fits more than 95% of the office population</li> <li>- 5'0" Woman to 6'4" Man</li> <li>- 100 to 300 lbs.</li> </ul>
WEIGHT
<ul style="list-style-type: none"> <li>18 lbs. <i>with arms</i></li> <li>17 lbs. <i>without arms</i></li> </ul>



TASK



SIDE

COMPONENT	CODE	BASE MODEL PRICE	\$910	\$490
STYLE	L11	Task Chair	-	N/A
	L40	Side Chair	N/A	-
ARMRESTS	0	Armless	-	-
	6	Fixed Duron Arms	\$105	\$85
	7	Fixed Duron Arms with Matching Textile	\$120	N/A
	X	Fixed Duron Gel Arms	\$135	\$115
	M	Fixed Gel Arms with Matching Textile	\$150	N/A
	1	Adjustable Duron Arms	\$180	N/A
	2	Adjustable Duron Arms with Matching Textile	\$195	N/A
	D	Adjustable Duron Gel Arms	\$210	N/A
	C	Adjustable Gel Arms with Matching Textile	\$225	N/A
FRAME COLOR	B	Black with Black Trim	-	-
	V	Silver with Silver Trim	-	-
	L	Silver with Black Trim	-	-
	A	Polished Aluminum with Black Trim	\$126	\$84
	P	Polished Aluminum with Silver Trim	\$126	\$84
BACKREST MESH STYLE		See page 29 and textile samples for mesh color options and codes		
BACKREST MESH COLOR		See page 29 and textile samples for mesh color options and codes		
SEAT MESH/ TEXTILE STYLE		Mesh (A,N,J)	N/A	-
		Textile Grade 1 (W,V,K,CF)	\$20	\$60
		Textile Grade 2 (F,H)	\$45	\$80
		Textile Grade 3 (D)	\$95	\$100
		Leather Grade 1 (Q)	\$405	N/A
		Leather Grade 2	N/A	N/A
		Leather Grade 3 (R)	\$824	N/A
SEAT MESH/ TEXTILE COLOR		See pages 27 textile samples for mesh color options and codes		
LEATHER STITCHING		If leather is selected, see page 28 for stitch options		
	-	No leather selected	-	-
GEL SEAT	-	Standard Seat Pan	-	-
	G	Gel Seat - <i>Not compatible with leather textiles</i>	\$74	N/A
CYLINDER	-	Standard 5"	-	N/A
	A	3" Return to Height Cylinder	\$44	N/A
	L	Low 3.75"	\$26	N/A
	T	Tall 5"	\$37	N/A
	F	High 8" w/18" Foot Ring	\$110	N/A
	R	High 8" w/21" Foot Ring	\$152	N/A
	CASTERS/GLIDES	-	Standard 3" Casters for carpeted floors	-
S		Soft Casters	-	N/A
G		Glides	\$21	N/A
FIREPROOFING	-	Standard Foams and Plastics	-	-
	C	CAL 133-Approved Foams and Plastics <i>(Included in all side chairs)</i>	\$42	-
BASE	-	Standard Base to Match Trim Color	-	N/A
SHIPPING	-	Individually Boxed	-	-
	B	Blanket Wrapped	-	-

REPLACEMENT PARTS	Code	CAL133 Available	Price	Textile 1	Textile 2	Textile 3	Leather 0	Leather 1	Leather 2	Leather 3
-------------------	------	------------------	-------	-----------	-----------	-----------	-----------	-----------	-----------	-----------

Liberty Conference/Task										
Seat (Foam)	<b>LSF 12226</b>	C	N/A	\$125	\$150	\$200	N/A	\$545	N/A	\$825
Seat (Gel)	<b>LSG 1222</b>	C	N/A	\$200	\$225	N/A	N/A	N/A	N/A	N/A
Mesh Backrest	<b>LB3422</b>		\$175	N/A	N/A	N/A	N/A	N/A	N/A	N/A
Fixed Duron Arm Pads (Pair)	<b>LDA5</b>		\$45	N/A	N/A	N/A	N/A	N/A	N/A	N/A
Fixed Duron Gel Arm Pads (Pair)	<b>LGA</b>		\$75	N/A	N/A	N/A	N/A	N/A	N/A	N/A
Height-Adjustable Duron Arm Pads (Pair)	<b>LDV5</b>		\$45	N/A	N/A	N/A	N/A	N/A	N/A	N/A
Height-Adjustable Duron Gel Arm Pads (Pair)	<b>LGV</b>		\$75	N/A	N/A	N/A	N/A	N/A	N/A	N/A
Fixed Duron Arm Pads with Matching Textile (Pair)	<b>LDAM 1222</b>	C	N/A	\$65	\$85	\$85	N/A	\$115	N/A	\$185
Fixed Gel Arm Pads with Matching Textile (Pair)	<b>LGAM 1222</b>	C	N/A	\$95	\$115	\$115	N/A	\$145	N/A	\$215
Height-Adjustable Duron Arm Pads with Matching (Pair)	<b>LDVM 1222</b>	C	N/A	\$65	\$85	\$85	N/A	\$115	N/A	\$185
Height-Adjustable Gel Arm Pads with Matching Textile (Pair)	<b>LGVM 1222</b>	C	N/A	\$95	\$115	\$115	N/A	\$145	N/A	\$215

Liberty Side										
Mesh Backrest	<b>LSCB3422</b>		\$175	N/A	N/A	N/A	N/A	N/A	N/A	N/A
Mesh Seat Cushion	<b>LSCS3422</b>		\$175	N/A	N/A	N/A	N/A	N/A	N/A	N/A
Textile-covered Seat Cushion	<b>LSCSM31222</b>			\$214	\$234	\$239	N/A	N/A	N/A	N/A
Duron Arm Pads (Pair)	<b>LSDA5</b>		\$45	N/A	N/A	N/A	N/A	N/A	N/A	N/A
Duron Gel Arm Pads (Pair)	<b>LSGA</b>		\$75	N/A	N/A	N/A	N/A	N/A	N/A	N/A
Duron Arm Pads with Matching Textile Cover (Pair)	<b>LSDAM 1222</b>		N/A	\$73	\$85	\$85	N/A	\$115	N/A	\$185
Gel Arm Pads with Matching Textile Cover (Pair)	<b>LSGAM 1222</b>			\$95	\$114	\$115	N/A	\$145	N/A	\$215

Any code containing a number refers to the component or textile that must be selected to order the replacement or retrofit part.

**1** – Textile Code (pages 41-42) **2** – Cushion Color (pages 41-42) **3** – Frame Color (B, V, A) **4** – Mesh (M, C, A, N, J)

**5** – Arm Pad Color (B, V) **6** – Leather Stitch Color (page 42)

RETROFIT PARTS	Code	CAL133 Available	Price	Textile 1	Textile 2	Textile 3	Leather 0	Leather 1	Leather 2	Leather 3
----------------	------	------------------	-------	-----------	-----------	-----------	-----------	-----------	-----------	-----------

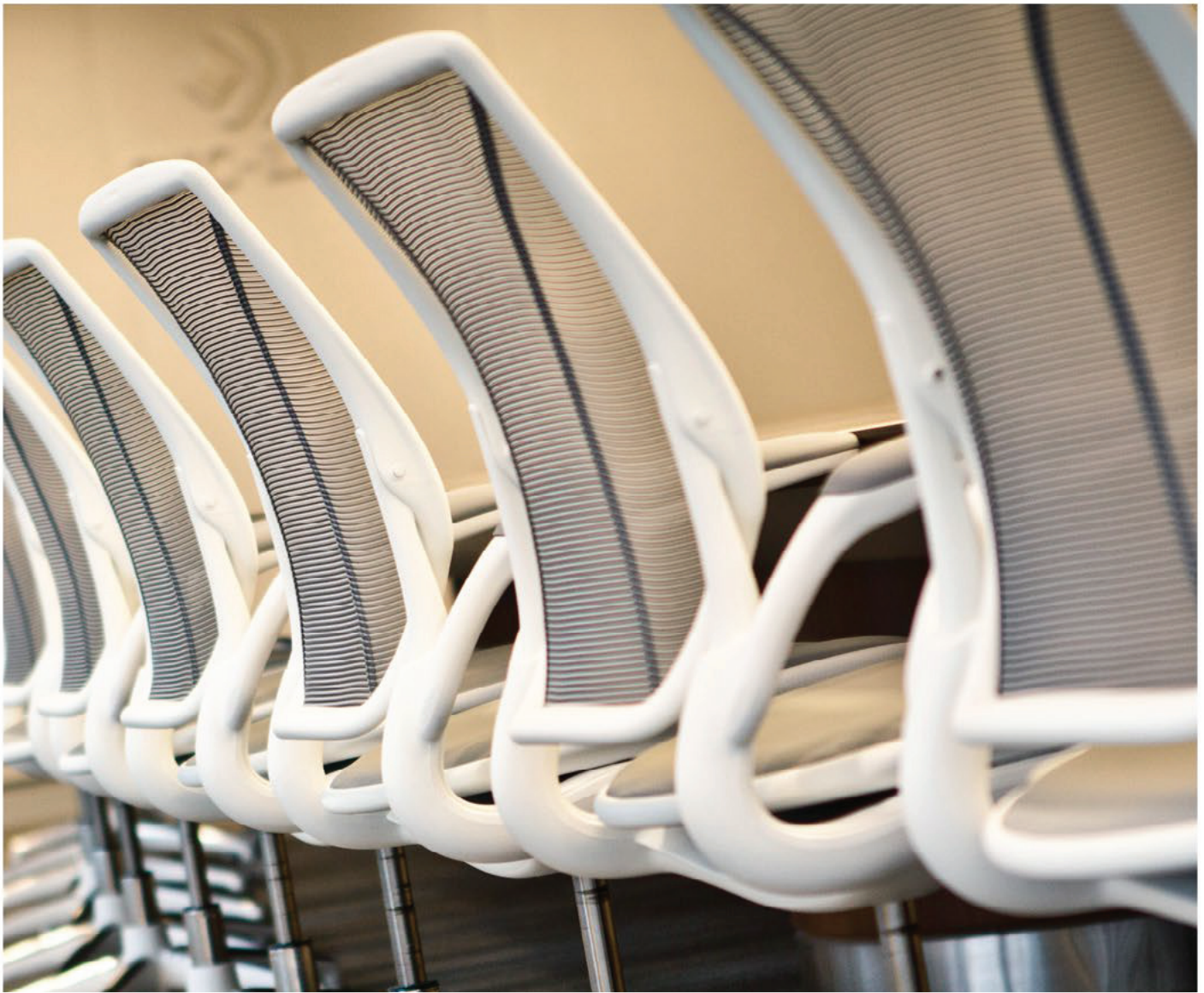
Liberty Task Retrofit Kits										
Fixed Duron Arms (Pair)	<b>LKFD35</b>		\$115	N/A	N/A	N/A	N/A	N/A	N/A	N/A
Fixed Duron Gel Arms (Pair)	<b>LKFG3</b>		\$145	N/A	N/A	N/A	N/A	N/A	N/A	N/A
Height-Adjustable Duron Arms (Pair)	<b>LKD35</b>		\$160	N/A	N/A	N/A	N/A	N/A	N/A	N/A
Height-Adjustable Duron Gel Arms (Pair)	<b>LKA3</b>		\$190	N/A	N/A	N/A	N/A	N/A	N/A	N/A
Fixed Duron Arms with Matching Textile (Pair)	<b>LKFDM31222</b>	C		\$135	\$155	\$155	N/A	\$185	N/A	\$255
Fixed Gel Arms with Matching Textile (Pair)	<b>LKFGM31222</b>	C		\$165	\$185	\$185	N/A	\$215	N/A	\$285
Height-Adjustable Duron Arms with Matching Textile (Pair)	<b>LKDM31222</b>	C		\$180	\$200	\$200	N/A	\$230	N/A	\$300
Height-Adjustable Gel Arms with Matching Textile (Pair)	<b>LKAM31222</b>	C		\$210	\$230	\$230	N/A	\$260	N/A	\$330

Liberty Side Retrofit Kits										
Fixed Duron Arms (Pair)	<b>LSKFD35</b>		\$115	N/A	N/A	N/A	N/A	N/A	N/A	N/A
Fixed Duron Gel Arms (Pair)	<b>LSKFX3</b>		\$146	N/A	N/A	N/A	N/A	N/A	N/A	N/A
Fixed Duron Arms with Matching Textile Cover (Pair)	<b>LSKFDM31222</b>			\$125	\$145	\$145	N/A	\$175	N/A	\$245
Fixed Gel Arms with Matching Textile Cover (Pair)	<b>LSKFGM31222</b>			\$155	\$175	\$175	N/A	\$205	N/A	\$275

Any code containing a number refers to the component or textile that must be selected to order the replacement or retrofit part.

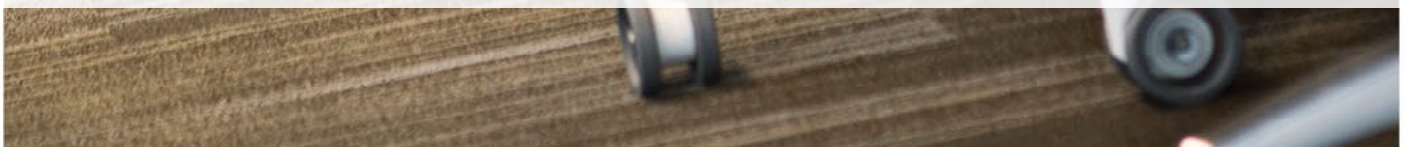
**1** – Textile Code (pages 41-42) **2** – Cushion Color (pages 41-42) **3** – Frame Color (B, V, A) **4** – Mesh (M, C, A, N, J)

**5** – Arm Pad Color (B, V) **6** – Leather Stitch Color (page 42)



## *Diffrient world*<sup>®</sup>

Diffrient World marks Humanscale's first foray into all-mesh task seating. Like its mesh-backed forerunner, Liberty, Diffrient World's tri-panel backrest hugs the body to provide tailor-made lumbar support, while its mesh seat eliminates contact stress under the thighs. But Diffrient World's major innovation is its mechanism-free recline action, which leverages two parts of the chair's frame, the user's body weight, and the laws of physics to provide automatic and balanced support throughout the full range of recline. No chair is more intuitive, creating the ultimate user-friendly sitting experience.



## Features & Characteristics



### **BODY FIT**

Size adjustable to fit more than 95% of the population

### **CUSHION PAN, BACK FRAME, FIVE-ARM BASE**

Non-stretch, tri-panel mesh back. Non-stretch mesh seat. Optional upholstered polyurethane foam seat cushion

### **EXTERNAL FRAME**

Injection-molded, structural, integral color glass-filled Nylon 6

### **FIREPROOFING**

CAL 133-approved option available

### **SELF-ADJUSTING RECLINE**

- Intelligent counter-balance recline mechanism automatically provides the right amount of support through the full range of recline motion, regardless of user size and weight
- No tension springs to adjust
- No recline locks to set/release
- During recline, the angle between torso and legs opens up for better body function
- User maintains near-constant eye level during recline

### **PIVOTING BACKREST**

- Extra motion of the backrest during recline automatically adjusts to the changing needs of the spine
- Provides additional lumbar support as needed

### **ARMREST OPTIONS**

- Armless, Fixed armrests or Height-adjustable armrests with 3.2" range of adjustment

### **ARM PAD OPTIONS**

- Flexible Duron or Matching textile-covered arm pad

### **FORM-SENSING MESH**

- Tri-panel, non-stretch mesh construction creates body-fitting contours and self-adjusting lumbar support for a customized fit
- No external lumbar devices to adjust, break or lose
- Low-abrasion mesh protects clothing
- Modular for easy replacement

### **NON-STRETCH MESH SEAT**

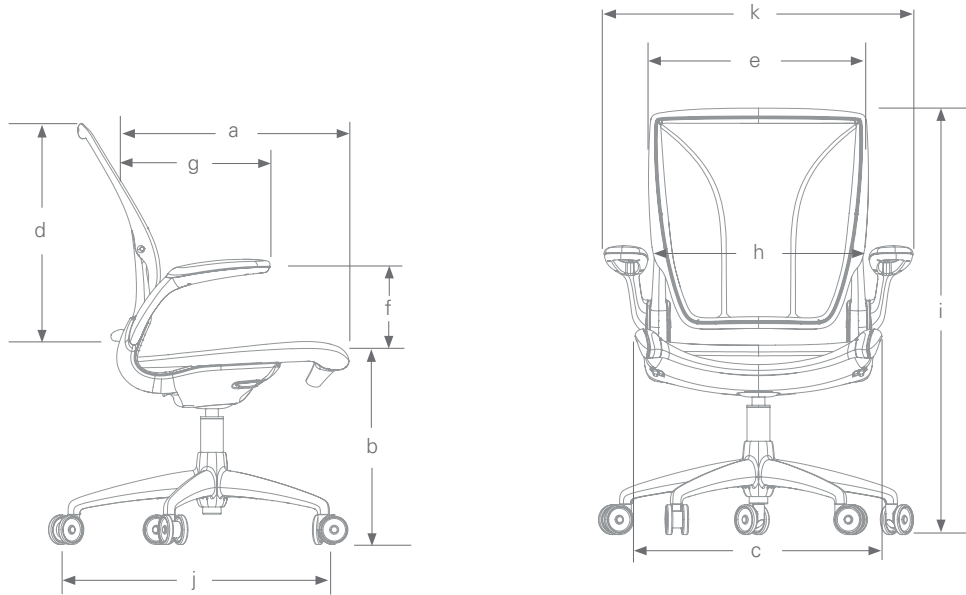
- Automatically sculpts to match body contours
- Cradles the body in flexible, breathable mesh
- Frameless front edge eliminates contact stress under the thighs

### **CYLINDER**

- Standard cylinder provides seat height range that accommodates 95% of users
- Optional low cylinder for small users
- Optional tall cylinder for very tall users
- Optional high cylinder with foot ring

### **CASTER OPTIONS**

- Standard 3" (76mm) hard casters
- Optional non-rolling glides for fixed location use
- Optional soft casters for hard floors



CODE	DESCRIPTION	MEASUREMENT
a	seat depth <i>(from face of lumbar to front of seat)</i>	15.70" - 18.25"
b	seat height <i>(from floor to compressed front center of seat cushion)</i>	16" - 21.125" standard chair 14" - 17" low chair 16.25" - 21.6" tall chair 19.75" - 27.25" 8" high cylinder with 18" foot ring 20.75" - 30.75" 10" high cylinder with 18" foot ring 14.75" - 17.38" 3" high cylinder with 18" foot ring 15.0" - 19.75" 5" high cylinder with 18" foot ring
c	seat width	20.20"
d	backrest height <i>(from seat cushion to top of backrest)</i>	22.5"
e	backrest width	16"
f	armrest height <i>(from compressed seat cushion to top of armrest)</i>	9.50" fixed 7.20" - 10.75" adjustable
g	armrest length <i>(from face of lumbar to front of armrest)</i>	8.40"
h	distance between armrests	18.75"
i	height	35.625" - 40.75" standard chair 32.75" - 35.75" low chair 35.0" - 40.0" tall chair 38.125" - 45.625" 8" high cylinder with 18" foot ring 40.75" - 50.75" 10" high cylinder with 18" foot ring 34.75" - 37.375" 3" high cylinder with 18" foot ring 35.0" - 39.75" 5" high cylinder with 18" foot ring
j	base diameter	24" (610mm)
k	chair width	25.75" (with arms) 21" (without arms)

SCOPE OF USERS
<ul style="list-style-type: none"> <li>Conference/Task chair fits 95% of the office population                             <ul style="list-style-type: none"> <li>5'0" (152cm) Woman to 6'4" (193cm) Man</li> <li>100 to 300 lbs. (45.4kg - 136kg)</li> </ul> </li> <li>Users outside the standard height range can be accommodated by Low or Tall Cylinder</li> </ul>
WEIGHT
<ul style="list-style-type: none"> <li>28 lbs. Conference/Task chair</li> <li>24 lbs. Armless chair</li> </ul>
TILT AND RECLINE
<ul style="list-style-type: none"> <li>17° recline plus 8° backrest tilt</li> </ul>
REFERENCE ANGLE BETWEEN SEAT AND BACK
<ul style="list-style-type: none"> <li>97.7° to 114.3°</li> </ul>

## Build Your Product Code

COMPONENT	CODE	BASE MODEL PRICE	\$740
LINE	W	Diffrient World Chair	-
STYLE	1	Conference/Task Chair	-
ARMRESTS	0	Armless	-
	6	Fixed Duron Arms	\$80
	7	Fixed Duron Arms with Matching Textile - <i>Available with textile covered seat only</i>	\$105
	1	Adjustable Duron Arms	\$170
	2	Adjustable Duron Arms with Matching Textile - <i>Available with textile covered seat only</i>	\$195
FRAME COLOR	B	Black	-
	W	White	\$40
	V	Gray	-
BACKREST MESH STYLE		See page 37 and textile Samples for mesh color options and codes	
BACKREST MESH COLOR		See page 37 and textile Samples for mesh color options and codes	
SEAT MESH/ TEXTILE STYLE		Mesh (A,N,J)	-
		Textile Grade 1 (W,V,K,CF)	\$60
		Textile Grade 2 (F,H)	\$80
		Textile Grade 3 (D)	\$100
SEAT MESH/ TEXTILE COLOR		See pages 27 and 29 textile samples for mesh color options and codes	
CYLINDER	—	Standard 5"	-
	A	3" Return to Height Cylinder	\$43
	L	Low 3.75"	\$26
	F	High 8" w/18" Foot Ring	\$110
	R	High 8" Cylinder with 21" Foot Ring	\$125
	X	Extra-high 10" Cylinder w/ 18" Foot Ring	\$93
	Z	Extra-high 10" Cylinder w/ 21" Foot Ring	\$125
CASTERS/GLIDES	—	Standard Hard Casters	-
	S	Soft Casters	-
	G	Glides	\$21
FIREPROOFING	—	Standard Plastics and Foams	-
	C	CAL133 Label Applied to Underside of Chair	-
BASE	—	Standard	-
SHIPPING	—	Individually Boxed	-
	B	Blanket Wrapped - <i>See Terms and Conditions for minimum order requirements</i>	-

Requires glides

## Options & Prices

REPLACEMENT PARTS	Code	CAL133 Available	Price	Textile 1	Textile 2	Textile 3
-------------------	------	------------------	-------	-----------	-----------	-----------

Seat Cushions						
Mesh Backrest	<b>DWCB3422</b>	C	\$140	N/A	N/A	N/A
Mesh Seat Cushion	<b>DWCS3422</b>	C	\$140	N/A	N/A	N/A
Textile-Covered Seat Cushion	<b>DWCSM31222</b>	C	N/A	\$200	\$220	\$240

Armrest Cushions						
Fixed Duron Arm Pads (Pair)	<b>DWFD35</b>	C	\$45			
Fixed Duron Arm Pads with Matching Textile Cover (Pair)*	<b>DWFDM1222</b>	C		\$70	\$92	\$92
Height-Adjustable Duron Arm Pads (Pair)	<b>DWAD35</b>	C	\$45			
Height-Adjustable Duron Arm Pads with Matching Textile Cover (Pair)*	<b>DWADM1222</b>	C		\$70	\$92	\$92

RETROFIT PARTS	Code	CAL133 Available	Price	Textile 1	Textile 2	Textile 3
Fixed Duron Arms (Pair)	<b>DWKFD35</b>	C	\$90			
Fixed Duron Arms with Matching Textile Cover (Pair)*	<b>DWKFDM31222</b>	C		\$110	\$130	\$130
Height-Adjustable Duron Arms (Pair)	<b>DWKAD35</b>	C	\$180			
Height-Adjustable Duron Arms with Matching Textile Cover (Pair)*	<b>DWKADM31222</b>	C		\$200	\$220	\$220

Any code containing a number refers to the component or textile that must be selected to order the replacement or retrofit part.

**1** – Textile Code (pages 42-44) **2** – Cushion Color (pages 41-43) **3** – Frame Color (B, W, V)

**4** – Mesh (M, C, A, N, J) **5** – Arm Pad Color (S, B)



# *cinto*®

Appropriate for a wide range of commercial and residential environments, Cinto sets a new standard for ergonomic stackable seating through unique design and manufacturing innovations. Spanish for “belt,” Cinto features a floating backrest that is attached to the chair’s frame via a flexible belt, allowing it to move with the body to provide recline and automatic lumbar support. For cool seated comfort, air vents on the backrest and seat pan enable air circulation.



**BACKREST HANDLE**

- Provides easy transport

**FLEXIBLE BACKREST**

- Attached to the chair's frame via a flexible belt, the floating backrest bends and adjusts with the sitter
- Flexibility of backrest creates virtual pivot point for automatic lumbar support
- No adjustments required

**ARMREST OPTIONS**

- Armless
- Fixed arms

**VENTED SEAT PAN AND BACKREST**

- Promotes air circulation and prevents "hot spots"

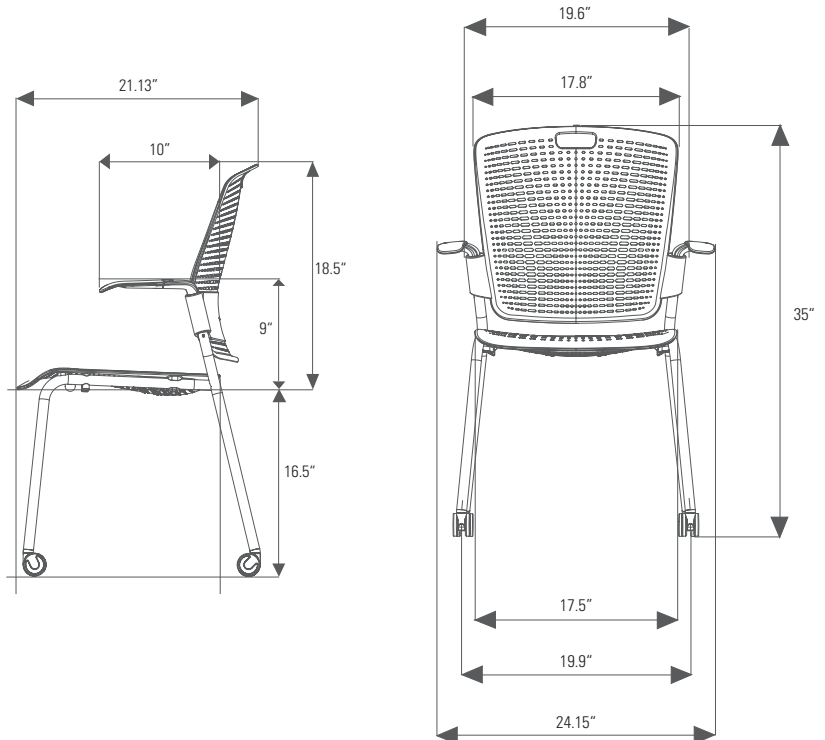
**STACKABILITY**

- Freestanding Cintos stack six chairs high
- Up to 15 chairs can be stacked on the optional Cinto Dolly

**BASE OPTIONS**

- Four legs on glides
- Four legs on casters

<b>WEIGHT</b>
<ul style="list-style-type: none"> <li>• 9 lbs. Armless chair</li> <li>• 10 lbs. Fixed-Arm chair</li> </ul>
<b>CINTO DOLLY EMPTY</b>
<ul style="list-style-type: none"> <li>• Height 44"</li> <li>• Depth 41"</li> <li>• Width 26"</li> </ul>
<b>CINTO DOLLY FULLY STACKED WITH 15 CHAIRS</b>
<ul style="list-style-type: none"> <li>• Height 67"</li> <li>• Depth 41"</li> <li>• Width 26"</li> </ul>
<b>WEIGHT CAPACITY</b>
<ul style="list-style-type: none"> <li>• 300 lbs</li> </ul>





## Build Your Product Code

COMPONENT	CODE	BASE MODEL PRICE	\$225
LINE	C	Cinto	-
STYLE	1	Four Legs, Glides	-
	2	Four Legs, Casters	\$30
ARMRESTS	0	Armless	-
	5	Fixed Arms	\$50
FRAME COLOR	S	Silver	-
	B	Black	-
BACKREST, SEAT PAN COLOR	01	White	-
	10	Black	-
	15	Gray	-
	17	Taupe	-
	18	Light Gray	-
	33	Yellow	-
	41	Green	-
	52	Light Blue	-
	53	Blue	-
	72	Red - Not available with CAL 133 Approval	-
OPTIONAL SEAT PAD	—	No seat pad	-
	V101	Vellum Black	\$40
	V102	Vellum Graphite	\$40
	V414	Vellum Greenwood	\$40
	V713	Vellum Pomegranate	\$40
FIREPROOFING	—	Standard Plastics	-
	C	CAL 133-Approved	\$20

### PARTS & ACCESSORIES

	Code	CAL133 Available	Price
<b>Replacement Parts</b>			
Seat Pan	<b>CRS 11</b>		\$50
Seat Pan, CAL 133-Approved*	<b>CRS 11</b>	C	\$60
Seat Pad	<b>CRP 4555</b>		\$40
Casters (Black, Set of 4)	<b>CRCAST</b>		\$30
Glides (Set of 4)	<b>CRGLIDE2</b>		\$10
Arm Sleeves (Pair)	<b>CRA 3</b>		\$26
Retrofit Armrest Kit (Pair)	<b>CKA 23</b>		\$75

<b>Accessories</b>			
Cinto Dolly	<b>CINTODLY</b>		\$230

Any code containing a number refers to the component or textile that must be selected to order the replacement or retrofit part.  
**1** - Backrest, Seatpan Color; **2** - Frame Color (S-Silver, B-Black); **3** - Trim Color (G-Gray, B-Black); **4** - Upgrades (Standard Plastics, C-Fireproofing/ Cal 133 Approved)



# Textiles

The cushions on all Humanscale chairs utilize advanced technology developed primarily for the sportswear and sporting goods industries. In a single step, a high-tech molding process combines the textile, foam or Technogel®, and plastic support shell into a single, modular unit which can be attached to our seating with four screws. Because of this advanced process, the textiles used on the cushions are as unique as the rest of the chair, and satisfy requirements more demanding than typical upholstery textiles.



## TEXTILES

\*Living Product Challenge Approved



<b>SENSUEDE</b>		Code	Color
<b>Textile Code: D</b>	<b>Textile Grade: 3</b>	111	Ebony
Offering style and performance, Sensuede was developed to be the best and most luxurious engineered suede available. The silky feel is the result of recycled microfibers that are breathable, extra-strong, and resistant to most stains and wrinkles.		115	Pewter
		517	Persian

<b>LOTUS</b>		Code	Color
<b>Textile Code: K</b>	<b>Textile Grade: 1</b>	101	Black
Water repellent and easy to clean, Lotus is an ideal textile for the healthcare and hospitality environments. Its polyurethane finish with nylon backing boasts a soft texture that is pleasant to the touch while offering exceptional durability.		128	White
		158	Shale
		182	Hematite
		2C4	Umber
		281	Walnut
		302	Ochre
		459	Verdant
		507	Navy
		603	Plum
		608	Crocus
		624	Eggplant
		757	Earth Red
758	Lucky Red		

<b>FOURTIS</b>		Code	Color
<b>Textile Code: FT</b>	<b>Textile Grade: 1</b>	10	Black
Fourtis is a four-way stretch fabric that easily conforms to our cushions for the ultimate in comfort and flexibility. While still adjustable, its satin crepe weave structure is highly durable and creates a strong, high-performance fabric.		12	Granite
		16	Ash
		44	Alaria
		49	Clover
		56	Nimbus
		57	Navy
		63	Boysenberry
		68	Hyacinth
		78	Winterberry

<b>GINKGO</b>		Code	Color
<b>Textile Code: F</b>	<b>Textile Grade: 2</b>	101	Black
Composed of 90% Wool, Ginkgo offers a pleasing texture and durability. Its subtle and elegant pattern makes this textile appropriate for a variety of environments. Ginkgo comes in vibrant and saturated colors, expanding the scope of Human-scale's upholstery line.		197	Charcoal
		281	Walnut
		315	Wheat
		463	Green
		507	Navy
		556	Storm
		568	Horizon
		816	Harvest Orange

<b>CORDE 4*</b>		Code	Color
<b>Textile Code: CF</b>	<b>Textile Grade: 1</b>	10	Black
Corde 4 is a four-way stretch design which moves with the sitter as they adjust positions in their chair, providing ultimate comfort. Its intricate weave structure, dimensional surface and wide array of neutral and vibrant shades are visually appealing and engaging to the touch.		12	Graphite
		21	Dark Brown
		22	Driftwood
		43	Balsam
		45	Peacock
		52	Thalo
		56	Medium Gray
		57	Navy
		58	Azure
		62	Deep Violet
		78	Parma Red
86	Pumpkin		

## LEATHERS

All Leather Options are Living Product Challenge Approved 

### BIZON

	Code	Color
<b>Textile Code: Q    Leather Grade: 1</b>	111	Black
The innovative line of supple Bizon leathers has a thick, rich grain with excellent light fastness. Bizon offers a plain pigmented finish with exceptional strain protection and a very soft touch.	458	Terra
	429	Miso
	444	Twilight

### CERVO

	Code	Color
<b>Textile Code: R    Leather Grade: 3</b>	1A7	Sasso Nero
Cervo is thicker than the other leathers in our collection. Specialized milling adds additional character providing a soft pebble grain texture unmatched by any other leather in its class.	2F0	Montefalcone
	2E8	Aveto

### Leather Stitching Options

	Code	Color
Choose a stitch color to match or contrast your choice of leather.	V	Vanilla
	M	Midnight
	N	Noir
	C	Coffee
	E	Espresso
	O	Oak
	T	Tan
	A	Cocoa

## MESH

All Mesh Options are Living Product Challenge Approved 

MONOFILAMENT STRIPE	Code	Color
<b>Mesh Code: M</b>	10	Black
Using only monofilament yarns that are thin and strong, a simple but classic stripe pattern is achieved through weave structure and yarn placement. This pattern has slight elasticity but terrific memory.	11	Carbon
	14	Platinum
	41	Green
	51	Atlantic
	81	Amber

SILVER CHECK	Code	Color
<b>Mesh Code: C</b>	12	Alloy
This unique translucent pattern is achieved using monofilament and a silver-plated yarn spun with polyester at its core. More than simply an aesthetic choice, the silver-plated yarn gives the textile flexibility and strength.	32	Topaz

PINSTRIPLE	Code	Color
<b>Mesh Code: N</b>	01	White
Designed specifically to work with the Diffrient World Chair, this lightweight fabric provides the strength and support of a much heavier mesh by using two different monofilament stretch yarns to provide proper support.	02	Silver
	03	Graphite
	10	Black
	34	Cadmium Yellow
	43	Citron
	58	Cyan
	74	Crimson

## TEXTILE PURCHASE PROGRAM

All Humanscale textiles (with the exception of Leather, Sensuede) are available for purchase by the linear yard. The prices below are net (standard discounts do not apply). A \$20 cut charge will apply to each order. Please see your Humanscale representative for more information.

Monofilament Stripe	\$60/yard (50" width)
Silver Check	\$70/yard (53" width)
Lotus	\$36/yard (54" width)
Ginkgo	\$75/yard (51" width)
Dash	\$75/yard (48" width)
Pinstripe	\$65/yard (48" width)
Catena	\$60/yard (52" width)
Corde 4	\$45/yard (50" width)

CATENA	Code	Color
<b>Mesh Code: J</b>	10	Black
Catena's dense and rich hues are inspired by the vibrant spice markets of India. When used as a backrest textile, this proprietary non-stretch mesh provides a customized lumbar support through its tri-panel patented design that fits the user like a tailored shirt.	35	Bayberry
	50	Cornflower
	1A	Poppy Seed
	1B	Caraway

DASH	Code	Color
<b>Mesh Code: A</b>	14	Platinum
Designed to resemble embroidery floss, Dash is stronger, more responsive, lighter weight and uses less material than most mesh textiles. It gives the user support, comfort and ease of movement, while meeting Humanscale's seating requirements.	19	Zinc

## CUSTOM COLORS

**Textiles:**  
Most Humanscale textiles are available in any customer-specified color. Delivery time frames for custom color orders will depend on color approval. A surcharge of \$50 per chair will apply to custom color orders. The minimum order quantity for these fabrics are as follows:

<b>Lotus, Ginkgo:</b>	
Freedom Task + Headrest	200 chairs
Liberty Task	400 chairs
Diffrient Smart	400 chairs
Freedom Saddle	400 chairs
Freedom Pony Saddle	600 chairs

**Non-Stocked Colors:**  
Vicenza, Cervo, Sensuede can be ordered in any color standard to these textile lines, even if it isn't stocked by Humanscale. Ordering any non-stocked color may impact the lead time for delivery. The minimum order quantity for these fabrics are as follows:

<b>Sensuede:</b>	
Freedom Task + Headrest	50 chairs
Liberty Task	100 chairs
Diffrient Smart	100 chairs
Freedom Saddle	100 chairs
Freedom Pony Saddle	150 chairs
<b>Vicenza, Bizon, Cervo:</b>	
Freedom Task + Headrest	10 chairs
Liberty Task	20 chairs
Diffrient Smart	20 chairs
Freedom Saddle	20 chairs
Freedom Pony Saddle	20 chairs

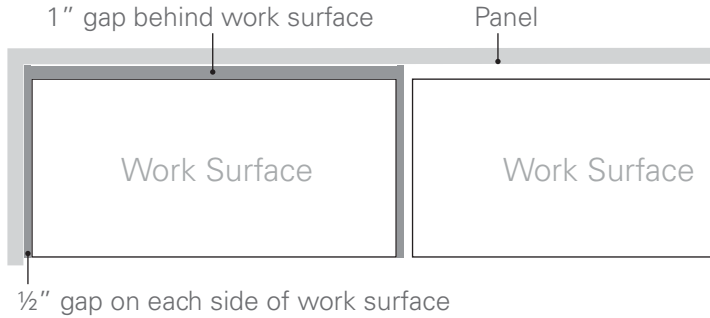


# Sit-Stand

Recent research suggests that movement is vital to health. As the pioneer of a healthier, more active workplace, Humanscale has designed innovative sit/stand solutions that encourage users to alternate postures. Ultimately, these products allow users to adopt a healthy and balanced level of activity as they work.

**WORK SURFACE DIMENSIONS**

Depth and width dimension is nominal. Depths are 1" less than stated to provide a 1" gap between the work surface and panel. Widths are 1" less than stated to provide a 1/2" gap on each side of the work surface. The gaps are to facilitate cable management, monitor arms and pinch points in either a panel or open plan work station environment.



**LAMINATE WORK SURFACES**

Our high pressure compact environmentally-friendly polypropylene laminate is laminated to either a 3/4" thick particleboard or a 3/4" MDF (medium-density-fibreboard) depending on the edge detail selected. Both work surfaces have a heavy duty back (bottom layer) which is a very thin layer of phenolic. This stops any potential warping. All of our work surfaces are **formaldehyde-free** and manufactured from **FSC (forest stewardship council) certified wood**.

**LAMINATE WORK SURFACE EDGE DETAIL**

Our laminate work surfaces are available in either a flat edge or knife edge. We use a technology called "laser edge banding" on our rectangular work surfaces which allows for a completely seamless edge between the work surface and the edge detail. This not only leaves a good clean edge but also stops any bacteria penetrating the wood. All our edge banding is finished in a coordinating color.



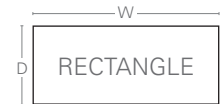


# Build Your Float Product Code

## Step 1: Identify The List Price For Your Float Base

COMPONENT	CODE	DESCRIPTION	LIST PRICE
PRODUCT	FN	Float Table Base	-
BASE COLOR	S	Silver	-
	W	White - <i>Living Product Challenge Approved</i>	-
	B	Black	-
COUNTERBALANCE ADJUSTER	M	Mounted - <i>can only be ordered with size 42, 43, 62, 63</i>	\$100
	R	Removable	-
SIZE <small>*All size options are Living Product Challenge approved.</small>	42	24" deep x 48" to 56" wide	\$1799
	43	30" deep x 48" to 56" wide	\$1799
	62	24" deep x 60" to 72" wide	\$1849
	63	30" deep x 60" to 72" wide	\$1849

*Living Product Challenge approved.*



Sample Order Float Base Code: **FNWM63** Sample Order Float Base List Price: **\$1949**

## Step 2: Build Your Float Worksurface

	SHAPE AND SIZE					COLOR			EDGE PROFILE		
<b>Powder Coat</b>	<b>CODE</b>	<b>DEPTH</b>	<b>WIDTH</b>	<b>FLAT EDGE</b>	<b>CURVED EDGE</b>	<b>CODE</b>	<b>COLOR</b>		<b>CODE</b>		
	2P48	24"	48"	\$395	\$395	WH		White		F	Flat Edge
	3P48	30"	48"	\$425	\$425	BL		Black		C	Curved Edge
	3P60	30"	60"	\$450	\$450						
	3P72	30"	72"	\$480	\$480						
<b>Wood Veneer</b>	<b>CODE</b>	<b>DEPTH</b>	<b>WIDTH</b>	<b>FLAT EDGE</b>	<b>KNIFE EDGE</b>	<b>CODE</b>	<b>COLOR</b>		<b>CODE</b>		
	2V48	24"	48"	\$890		BR		Birch		F	Flat Edge
	2V54*	24"	54"	\$950		CH		Cherry			
	2V60	24"	60"	\$995	N/A	WN		Walnut			
	2V66*	24"	66"	\$1,060							
	2V72	24"	72"	\$1,120							
	3V48	30"	48"	\$950							
	3V54*	30"	54"	\$995							
	3V60	30"	60"	\$1,050	N/A						
	3V66*	30"	66"	\$1,090							
3V72	30"	72"	\$1,170								
	<small>*Minimum order quantity of 10 table tops</small>										
<b>Laminate</b>	<b>CODE</b>	<b>DEPTH</b>	<b>WIDTH</b>	<b>FLAT EDGE</b>	<b>KNIFE EDGE</b>	<b>CODE</b>	<b>COLOR</b>		<b>CODE</b>		
	2448	24"	48"	\$395	n/a	WH		White		F	Flat Edge
	2454	24"	54"	\$425	\$425	GY		Gray		K	Knife Edge
	2460	24"	60"	\$450	\$450	PL		Platinum			
	2466	24"	66"	\$480	\$480	TN		Tan			
	2472	24"	72"	\$510	\$510	BL		Black			
	3048	30"	48"	\$425	n/a						
	3054	30"	54"	\$450	\$450						
	3060	30"	60"	\$475	\$475						
	3066	30"	66"	\$495	\$495						
3072	30"	72"	\$535	\$535							

Minimum order quantity of 10 table tops

Sample Order Float Work Surface Code: **3048WHF**  
 Sample Order Float Work Surface List Price: **\$425**

# eFloat® Lite

eFloat Lite focuses on price point and performance. eFloat lite is an easy to assemble height adjustable base created to be an optimal first step for a stand alone desk or multiple desk applications. Each configuration supplies everything you need to assemble your height adjustable table base. Just add your desired work surface to personalize.



## eFloat Lite for Rectangular Top

COMPONENT	CODE	DESCRIPTION	LIST PRICE
Line	FLR	eFloat Lite	-
Height Range	12	Standard Range - 27" to 46" - 200lbs Capacity	\$693
	22	Extended Range - 24" to 48" - 200lbs Capacity	\$830
Support Bar	A1	None - 1" thick surfaces +	-
	A2	Small - Adjustable Support Bar - 48"-66" Wide	\$68
	A3	Large - Adjustable Support Bar - 66"-84" Wide	\$91
Foot Depth & Style	T2	T Foot 24" Surface w Glides	\$187
	T3	T Foot 30" Surface w Glides	\$200
	TC	T Offset Foot Kit 24"/30" Surface w Glides	\$194
	C2	C Foot 24" Surface w Glides	\$187
	C3	C Foot 30" Surface w Glides	\$200
	CC	C Offset Foot Kit 24"/30" Surface w Glides	\$194
Touch Pad	A	Basic Up Down	\$68
	D	Programmable	\$182
	T	Touch Basic Up Down	\$105
	F	Touch FX Programmable	\$232
Color	B	Black	-
	S	Silver	-
	W	White	-

## eFloat Lite for 90 Degree Top



COMPONENT	CODE	DESCRIPTION	LIST PRICE
Line	FL90	eFloat Lite	-
Height Range	12	Standard Range - 27" to 46" - 250lbs Capacity	\$1,364
	22	Extended Range - 24" to 48" - 250lbs Capacity	\$1,772
Support Bar	A1	None - 1" thick surfaces +	-
	A2	Small - Adjustable Support Bar - 48"-66" Wide	\$68
	A3	Large - Adjustable Support Bar - 66"-84" Wide	\$91
	B1	None - 1" thick surfaces +	-
	B2	Small - Adjustable Support Bar - 48"-66" Wide	\$68
	B3	Large - Adjustable Support Bar - 66"-84" Wide	\$91
Foot Depth & Style	T2	T Foot 24" Surface w Glides	\$187
	T3	T Foot 30" Surface w Glides	\$200
	TC	T Offset Foot Kit 24"/30" Surface w Glides	\$194
	C2	C Foot 24" Surface w Glides	\$187
	C3	C Foot 30" Surface w Glides	\$200
	CC	C Offset Foot Kit 24"/30" Surface w Glides	\$194
Touch Pad	A	Basic Up Down	\$68
	D	Programmable	\$182
	T	Touch Basic Up Down	\$105
	F	Touch FX Programmable	\$232
Color	B	Black	-
	S	Silver	-
	W	White	-

## eFloat Lite for 120 Degree Top



COMPONENT	CODE	DESCRIPTION	LIST PRICE
Line	FL120	eFloat Lite	-
Height Range	12	Standard Range - 27" to 46" - 250lbs Capacity	\$1,364
	22	Extended Range - 24" to 48" - 250lbs Capacity	\$1,772
Support Bar	A1	None - 1" thick surfaces +	-
	A2	Small - Adjustable Support Bar - 48"-66" Wide	\$68
	A3	Large - Adjustable Support Bar - 66"-84" Wide	\$91
	B1	None - 1" thick surfaces +	-
	B2	Small - Adjustable Support Bar - 48"-66" Wide	\$68
	B3	Large - Adjustable Support Bar - 66"-84" Wide	\$91
Foot Depth & Style	T2	T Foot 24" Surface w Glides	\$187
	T3	T Foot 30" Surface w Glides	\$200
	C2	C Foot 24" Surface w Glides	\$187
	C3	C Foot 30" Surface w Glides	\$200
Touch Pad	A	Basic Up Down	\$68
	D	Programmable	\$182
	T	Touch Basic Up Down	\$105
	F	Touch FX Programmable	\$232
Color	B	Black	-
	S	Silver	-
	W	White	-

ACCESSORIES	CODE	DESCRIPTION	LIST PRICE
Caster	FLCK	Caster Kit	\$91
Stiffener Bar	S1	31" Stiffener Bar	\$41
	S2	49" Stiffener Bar	\$50
	S3	61" Stiffener Bar	\$64

# eFloat Flex

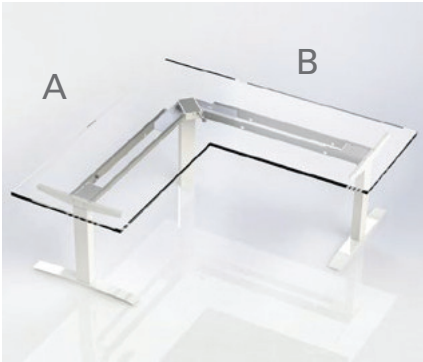
eFloat Flex focuses on flexibility. Easy to customize to your standards, Flex can support stand alone desks or multiple desk solutions. Each configuration supplies everything you need to assemble your height adjustable table base. Just add your desired work surface to personalize.



## eFloat Flex for Rectangular Top

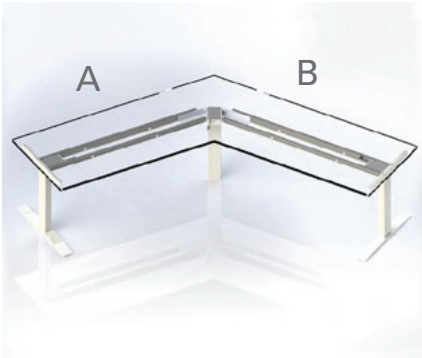
COMPONENT	CODE	DESCRIPTION	LIST PRICE
Line	FFR	eFloat Flex	-
Height Range	12	Standard Range, 25" to 44", 200lbs Capacity	\$1,070
	14	Standard Range Heavy, 25" to 44", 400lbs Capacity	\$1,234
	22	Extended Range, 20" to 46", 200lbs Capacity	\$1,393
	32	Extended Range Plus, 21" to 48", 200lbs Capacity	\$1,393
	42	Standard Range, 25" to 44", 200lbs Capacity, NEMA 6-15P (220V)	\$1,389
	52	Extended Range, 20" to 46", 200lbs Capacity, NEMA 6-15P (220V)	\$1,708
	62	Extended Range Plus, 21" to 48", 200lbs Capacity, NEMA 6-15P (220V)	\$1,708
Support Bar	R1	Fixed 36" Support Bar - 36" - 42" Wide	\$61
	R2	Adjustable Support Bar - 48" - 72" Wide	\$91
	R3	Fixed 78" Support Bar - 78" - 84" Wide	\$146
Foot Depth & Style	T2G	T Foot 24" Surface w Glides	\$196
	T3G	T Foot 30" Surface w Glides	\$210
	TCG	T Offset Foot Kit 24"/30" Surface w Glides	\$241
	C2G	C Foot 24" Surface w Glides	\$196
	C3G	C Foot 30" Surface w Glides	\$210
	CCG	C Offset Foot Kit 24"/30" Surface w Glides	\$203
	T2C	T Foot 24" Surface w Casters	\$251
	T3C	T Foot 30" Surface w Casters	\$264
	TCC	T Offset Foot Kit 24"/30" Surface w Casters	\$257
	C2C	C Foot 24" Surface w Casters	\$251
	C3C	C Foot 30" Surface w Casters	\$264
CCC	C Offset Foot Kit 24"/30" Surface w Casters	\$257	
Touch Pad	A	Basic Up Down	\$68
	D	Programmable	\$182
	T	Touch Basic Up Down	\$105
	F	Touch FX Programmable	\$232
Color	B	Black	-
	S	Silver	-
	W	White	-

## eFloat Flex for 90 Degree Top



COMPONENT	CODE	DESCRIPTION	LIST PRICE
Line	FF90	eFloat Flex	-
Height Range	12	Standard Range, 25" to 44", 250lbs Capacity	\$1,802
	14	Standard Range Heavy, 25" to 44", 400lbs Capacity	\$2,018
	22	Extended Range, 20" to 46", 250lbs Capacity	\$2,392
	32	Extended Range Plus, 21" to 48", 250lbs Capacity	\$2,392
Support Bar <i>A and B are the surface dimensions the table base needs to support, <b>not</b> the length of the support bar</i>	A1	48" Fixed Width Support Bar	\$82
	A2	54" Fixed Width Support Bar	\$83
	A3	60" Fixed Width Support Bar	\$84
	A4	66" Fixed Width Support Bar	\$106
	A5	72" Fixed Width Support Bar	\$141
	A6	78" Fixed Width Support Bar	\$146
	A7	84" Fixed Width Support Bar	\$150
	B1	48" Fixed Width Support Bar	\$82
	B2	54" Fixed Width Support Bar	\$83
	B3	60" Fixed Width Support Bar	\$84
	B4	66" Fixed Width Support Bar	\$106
	B5	72" Fixed Width Support Bar	\$141
	B6	78" Fixed Width Support Bar	\$146
	B7	84" Fixed Width Support Bar	\$150
Foot Depth & Style	T2G	T Foot 24" Surface w Glides	\$196
	T3G	T Foot 30" Surface w Glides	\$210
	TCG	T Offset Foot Kit 24"/30" Surface w Glides	\$241
	C2G	C Foot 24" Surface w Glides	\$196
	C3G	C Foot 30" Surface w Glides	\$210
	CCG	C Offset Foot Kit 24"/30" Surface w Glides	\$203
	T2C	T Foot 24" Surface w Casters	\$251
	T3C	T Foot 30" Surface w Casters	\$264
	TCC	T Offset Foot Kit 24"/30" Surface w Casters	\$257
	C2C	C Foot 24" Surface w Casters	\$251
	C3C	C Foot 30" Surface w Casters	\$264
Touch Pad	A	Basic Up Down	\$68
	D	Programmable	\$182
	T	Touch Basic Up Down	\$105
	F	Touch FX Programmable	\$232
Color	B	Black	-
	S	Silver	-
	W	White	-

## eFloat Flex for 120 Degree Top



COMPONENT	CODE	DESCRIPTION	LIST PRICE
Line	FF120	eFloat Flex	-
Height Range	12	Standard Range, 25" to 44", 250lbs Capacity	\$1,802
	14	Standard Range Heavy, 25" to 44", 400lbs Capacity	\$2,018
	22	Extended Range, 20" to 46", 250lbs Capacity	\$2,392
	32	Extended Range Plus, 21" to 48", 250lbs Capacity	\$2,392
Support Bar	A1	48" Fixed Width Support Bar	\$82
	A2	54" Fixed Width Support Bar	\$83
	A3	60" Fixed Width Support Bar	\$84
	A4	66" Fixed Width Support Bar	\$106
	A5	72" Fixed Width Support Bar	\$141
	A6	78" Fixed Width Support Bar	\$146
	A7	84" Fixed Width Support Bar	\$150
	B1	48" Fixed Width Support Bar	\$82
	B2	54" Fixed Width Support Bar	\$83
	B3	60" Fixed Width Support Bar	\$84
	B4	66" Fixed Width Support Bar	\$106
	B5	72" Fixed Width Support Bar	\$141
	B6	78" Fixed Width Support Bar	\$146
	B7	84" Fixed Width Support Bar	\$150
Foot Depth & Style	T2G	T Foot 24" Surface w Glides	\$196
	T3G	T Foot 30" Surface w Glides	\$210
	TCG	T Offset Foot Kit 24"/30" Surface w Glides	\$241
	C2G	C Foot 24" Surface w Glides	\$196
	C3G	C Foot 30" Surface w Glides	\$210
	CCG	C Offset Foot Kit 24"/30" Surface w Glides	\$203
	T2C	T Foot 24" Surface w Casters	\$251
	T3C	T Foot 30" Surface w Casters	\$264
	TCC	T Offset Foot Kit 24"/30" Surface w Casters	\$257
	C2C	C Foot 24" Surface w Casters	\$251
	C3C	C Foot 30" Surface w Casters	\$264
Touch Pad	A	Basic Up Down	\$68
	D	Programmable	\$182
	T	Touch Basic Up Down	\$105
	F	Touch FX Programmable	\$232
Color	B	Black	-
	S	Silver	-
	W	White	-







ACCESSORIES	CODE	DESCRIPTION	LIST PRICE
Caster	FLCK	Caster Kit	\$91
Stiffener Bar	S1	31" Stiffener Bar	\$41
	S2	49" Stiffener Bar	\$50
	S3	61" Stiffener Bar	\$64

# QUICKSTAND ECO



Humanscale's QuickStand Eco is the next generation in portable sit/stand products. Sleeker, easier to use and comprised of more sustainable materials than ever before, it is a vast improvement over the current generation of sit/stand options. This work surface is available in laptop, single or dual monitor configurations. QuickStand Eco features simple setup, portability and near effortless adjustability — transforming ordinary desktops into healthy, active workspaces.

## QuickStand Eco Product Configurations

		
<p><b>QSEWL</b> <b>\$599</b></p> <p>QuickStand Eco Laptop, White</p>	<p><b>QSEWS</b> <b>\$699</b></p> <p>QuickStand Eco Single Monitor, White</p>	<p><b>QSEWD</b> <b>\$799</b></p> <p>QuickStand Eco Dual Monitor, White</p>
		
<p><b>QSEBL</b> <b>\$599</b></p> <p>QuickStand Eco Laptop, Black</p>	<p><b>QSEBS</b> <b>\$699</b></p> <p>QuickStand Eco Single Monitor, Black</p>	<p><b>QSEBD</b> <b>\$799</b></p> <p>QuickStand Eco Dual Monitor, Black</p>